

Point of use regulator HP 401

- wall mounting version



Description:

The HP 401 is a point of use regulator for wall mounting. The regulator is mounted on a wall console for reducing line pressure to working pressure as a second stage.

As a standard configuration the point of use regulator will be supplied with shut off valve and gauge for working pressure. Options are specific inlet- and outlet connections or a metering valve fitted to the outlet of HP 401.

Application area:

Especially for gases with high requirements on purity to 6.0. Our special cleaning system for the HP series also guarantees the use for ECD applications.

Technical details:

Body:	stainless steel 1.4404 electropolished or brass, nickel and matt chrome plated
Seat:	PCTFE
Diaphragm:	1.4435
Leakage rate: against atmosphere	10^{-8} mbar l/s He
Gas purity:	≤ 6.0
Max. Inlet pressure:	40 bar
Outlet pressure range:	0,5-3; 1-6 1-10 bar
Operating temp.:	-20°C to +70°C
Gauge:	safety version to EN 837-1 KL1,6
Dimensions (wxhxd):	125 x 105 x 175
Weight:	1600g

Hornung Quality standard

The company Hornung is certified to
DIN EN ISO 9001 and ISO 14001:2009.

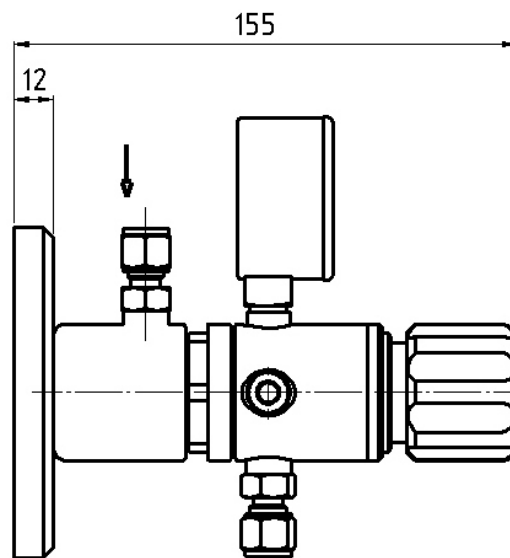
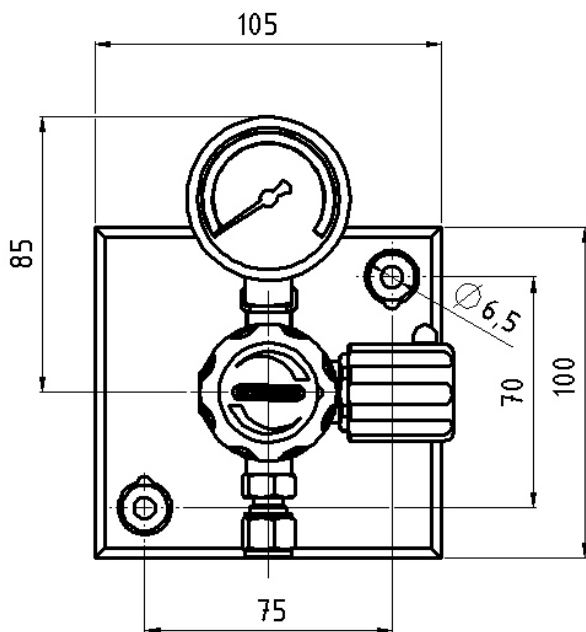
All single parts are manufactured, assembled
and tested by in-house production.

The finished parts are therefore under all criteria
of German quality control with 100% final
inspection.

Hornung GmbH
Rathenaustraße 55, 63263 Neu-Isenburg

Phone: +49 6102 7883-70
Fax: +49 6102 7883-40

www.hornung.org
info@hornung.org



Accessories:

See total catalogue segment

- 5. Diaphragm shut-off and metering valves
- 7. Gauges, Screw connections, Cylinder holders and accessories

Ordering information:

Material:

HP401 = stainless steel

HP401MS = brass, nickel and matt chrome plated

Outlet pressure ranges:

01 = 0,5 - 3 bar

02 = 1 - 6 bar

03 = 1 - 10 bar

Options for the outlet:

00 = G $\frac{1}{4}$ " – internal thread

01 = compression fitting 6 mm

02 = metering valve

HP401-	02	01	Gas
Type	Pressure	Option	Gas type